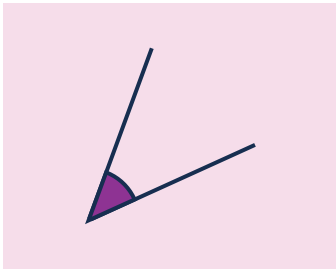
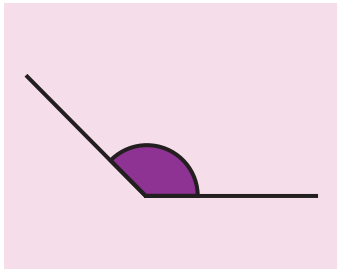
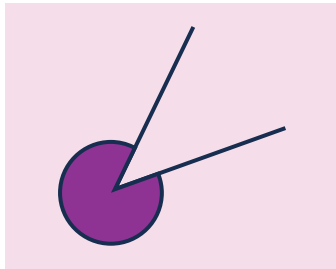
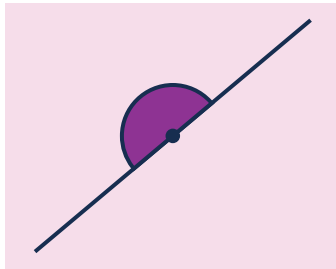


Recognising and measuring angles

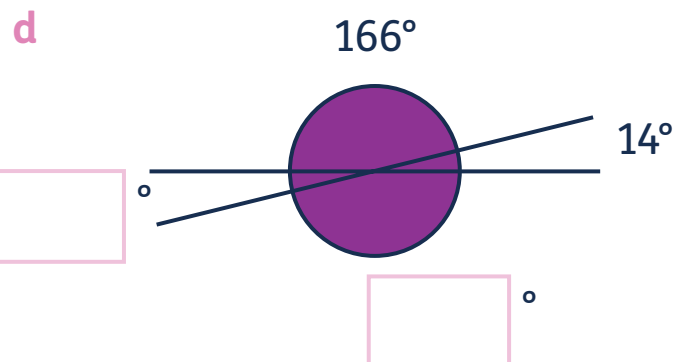
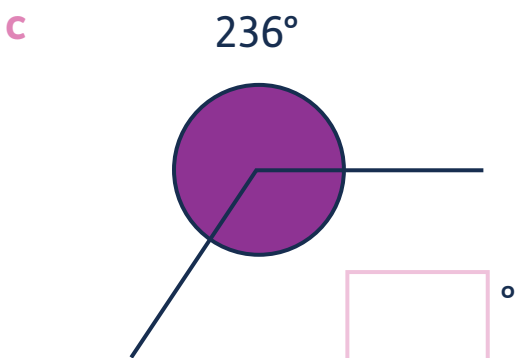
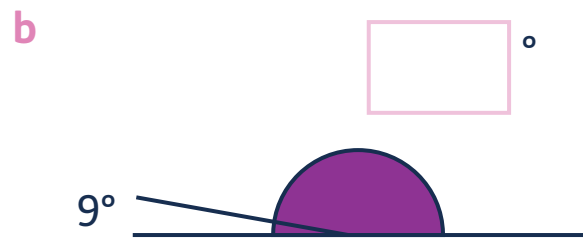
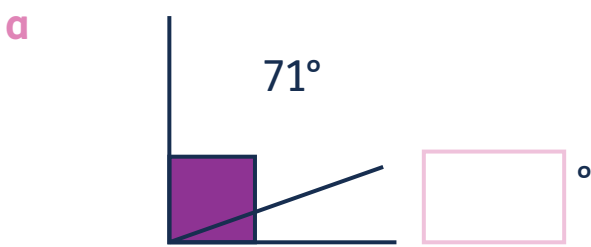
Question 1

Can you match these angles to their descriptions?

			
<input type="text"/>	<input type="text"/>	<input type="text"/>	<input type="text"/>
straight	obtuse	reflex	acute

Question 2

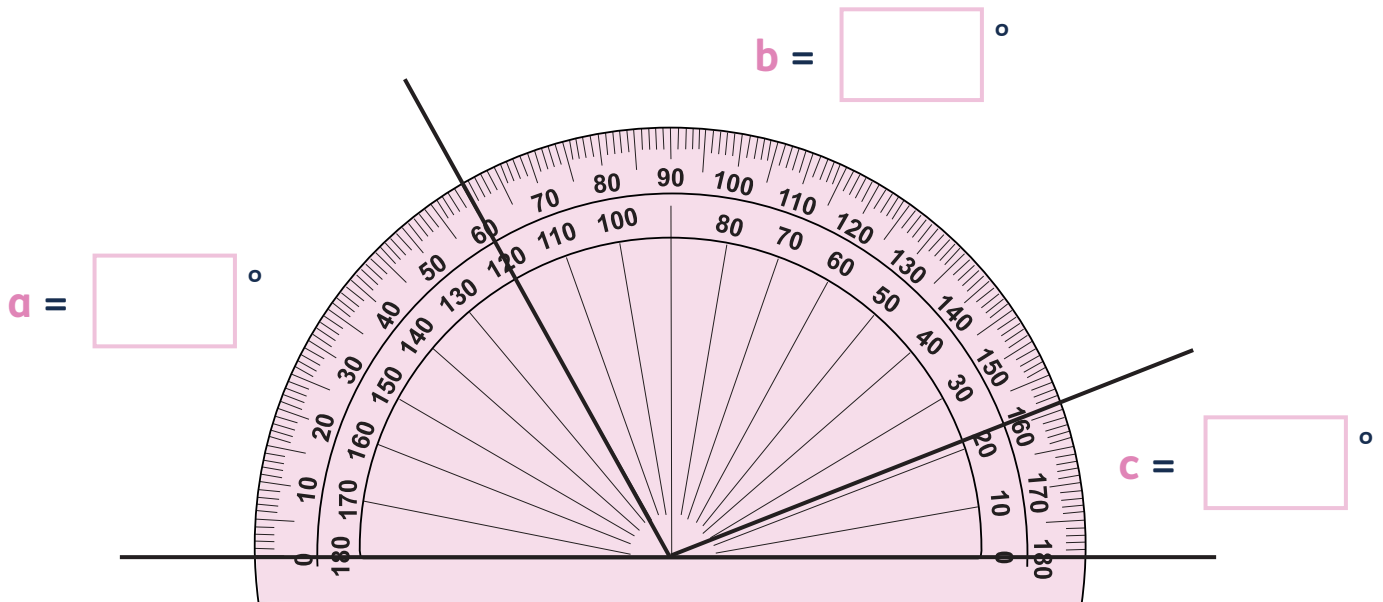
Can you calculate the missing angles?



Recognising and measuring angles

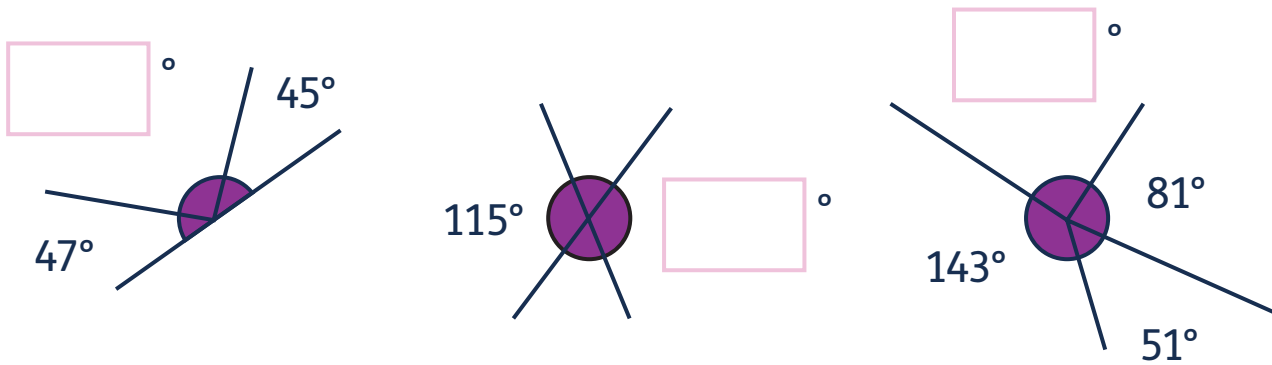
Question 3

Can you calculate the sizes of the missing angles?



Question 4

Can you find the missing angles?



Question 5

Can you find angles a , b and c ?

